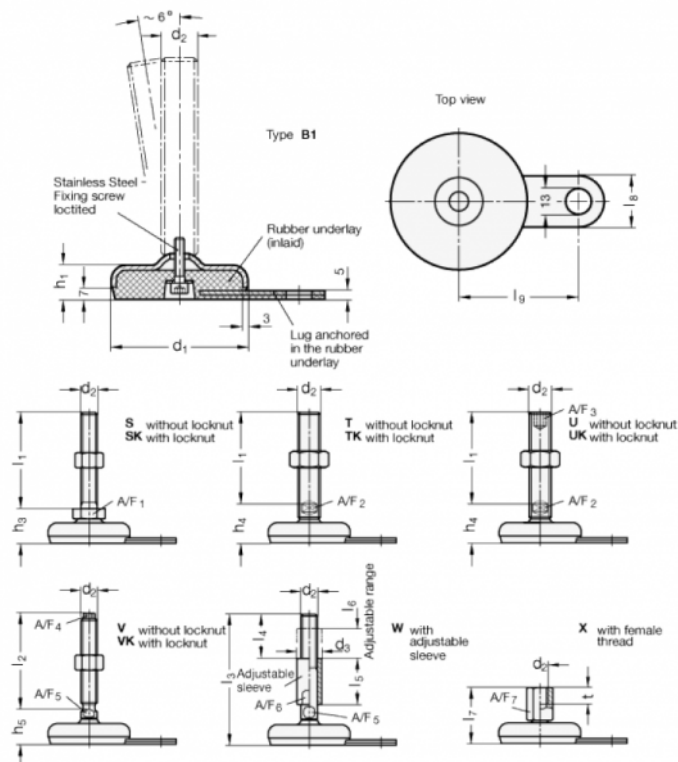


Article number: 2033100M16100B1VK

Description: E+G levelling foot  
GN 33-100-M16-100-B1-VK, Stainless steel

Note: VK With nut, External hexagon at the top, Wrench flat at the bottom

## Measures



A/F4 = 10

I9 = 80

A/F5 = 12

d1 = 100

d2 = M16

h1 = 21

h4 = 32

l2 = 100

l8 = 30